

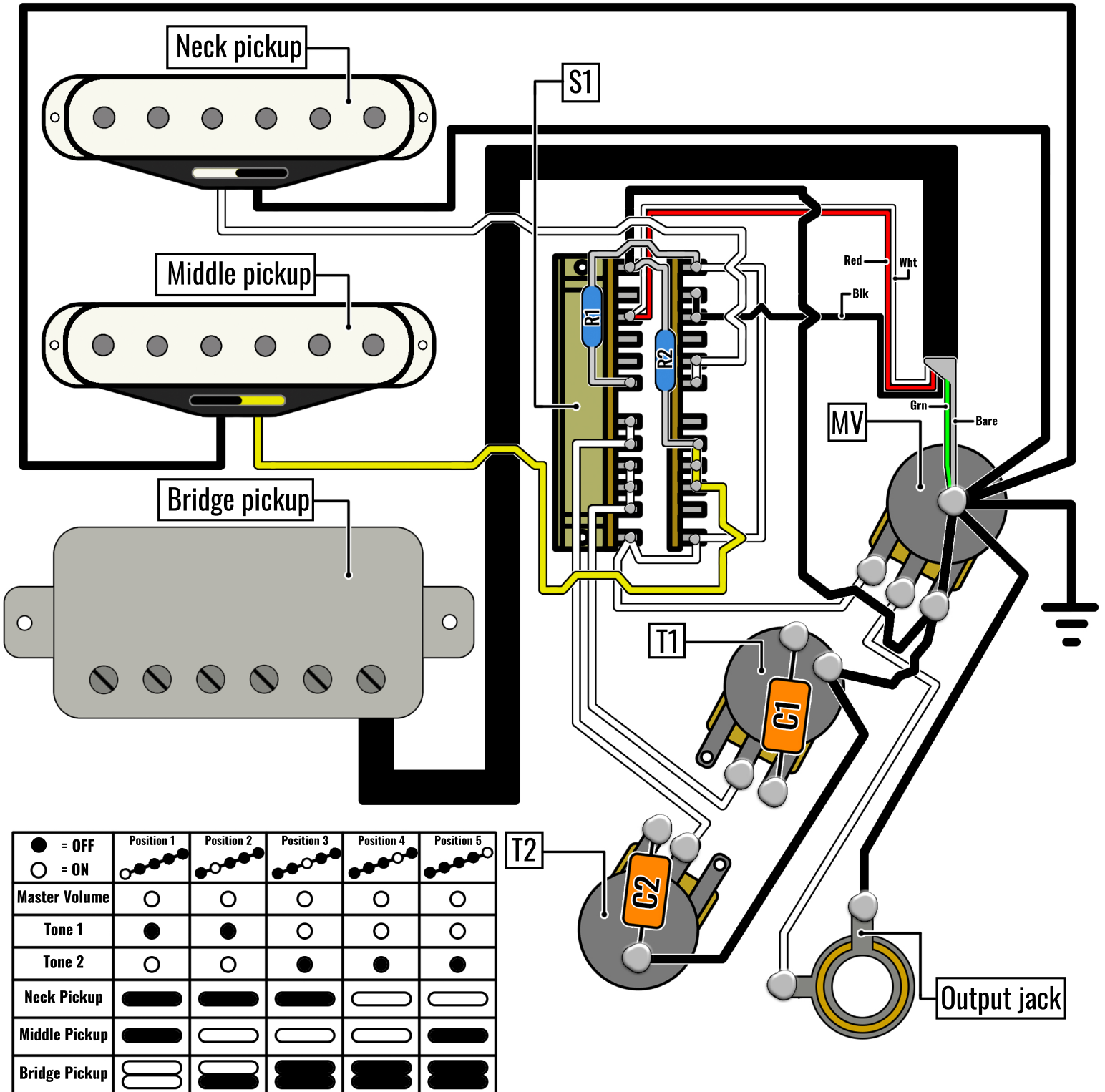


HSS Five-Way Super Switch Wiring*

MV = Master Volume - 500k
 T1 = Tone control for positions 3, 4, 5 - 250k
 T2 = Tone control for positions 1, 2 - 500k
 S1 = Five-way Super Switch

C1 = T1 tone capacitor
 C2 = T2 tone capacitor
 R1 = Resistor - 470k
 R2 = Resistor - 470k

 = solder joint
 = ground



*For Lollar Single-coil Pickups With Pushback Wire and Humbucker Pickups With Four-Conductor Wire