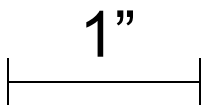
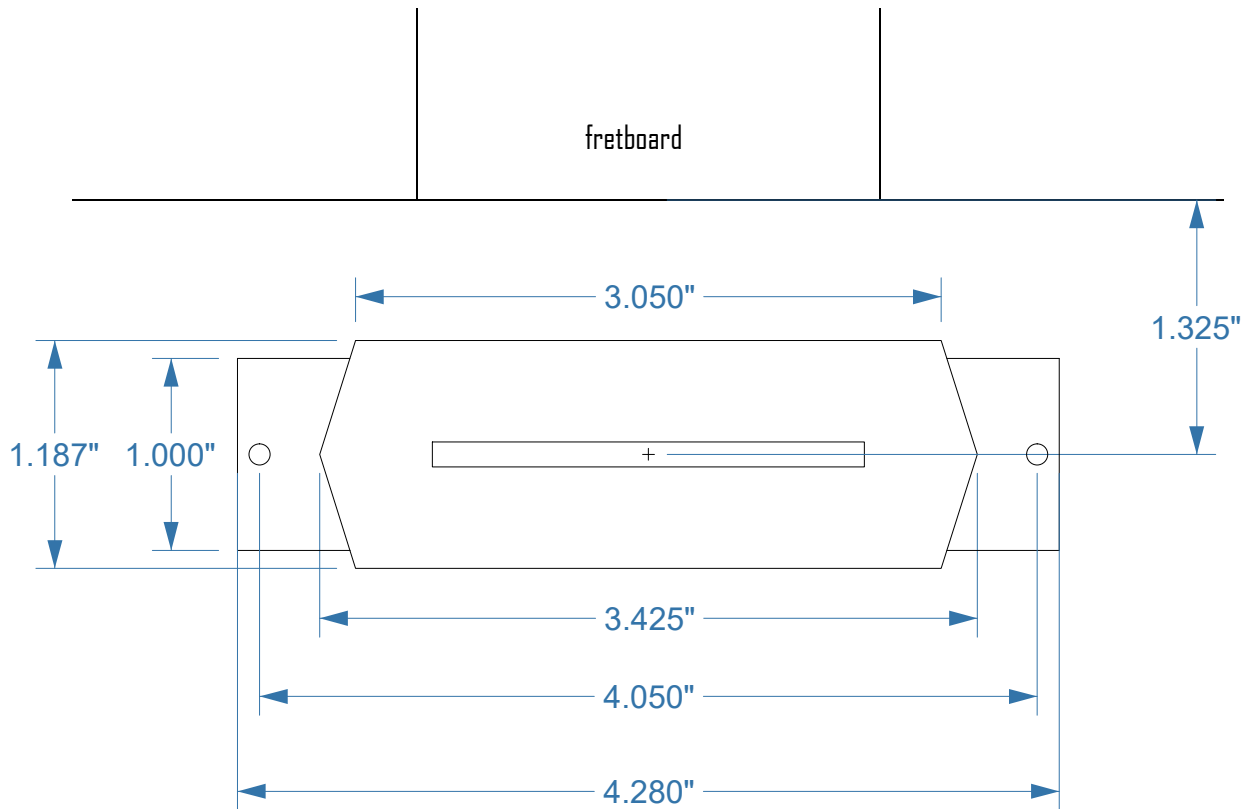


# C.C. ARCHTOP INSTALLATION (2 POINT MOUNT)



**Lollar**<sup>®</sup>  
TACOMA, WA PICKUPS

+1 (206) 463 9838